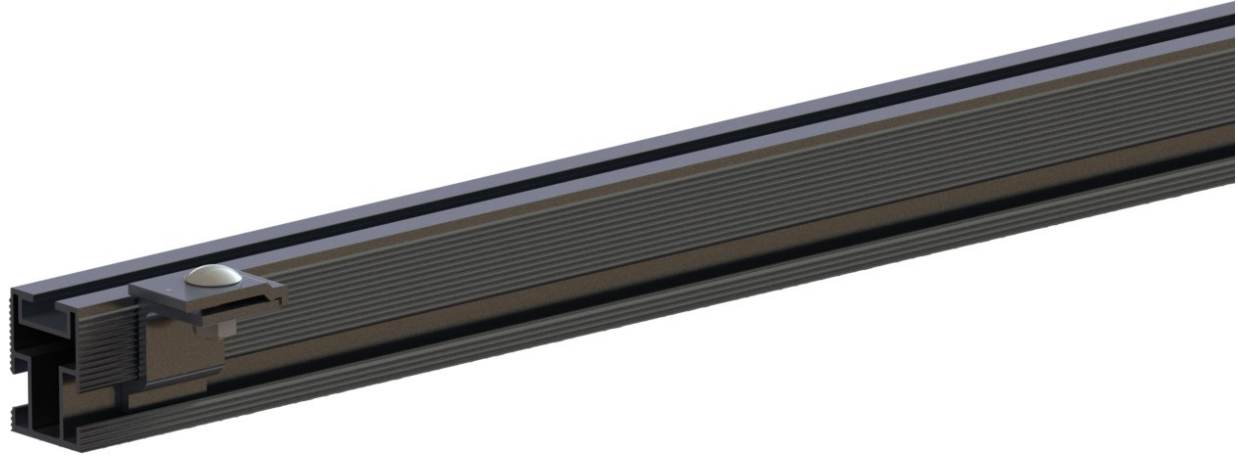


Hidden End Clamp

Module Clamp



FEATURES

- Invisible end clamps with superior aesthetics
- Universal module fitment
- Integrated bonding
- Versatile attachment

ADVANTAGES

- Rails can be trimmed flush with modules
- Single tool install
- Improves trim kit and critter guard install
- Compatible at rail ends or mid-span

The Fast-Rack Hidden End Clamp (HEC) is a concealed module clamp that integrates seamlessly with the Fast-Rack Ultra rail system. The HEC mounts underneath the module, making it completely hidden. It can be installed anywhere along the rail, and allows ends to be trimmed flush with the module for the cleanest installs possible.



MADE FOR CANADA



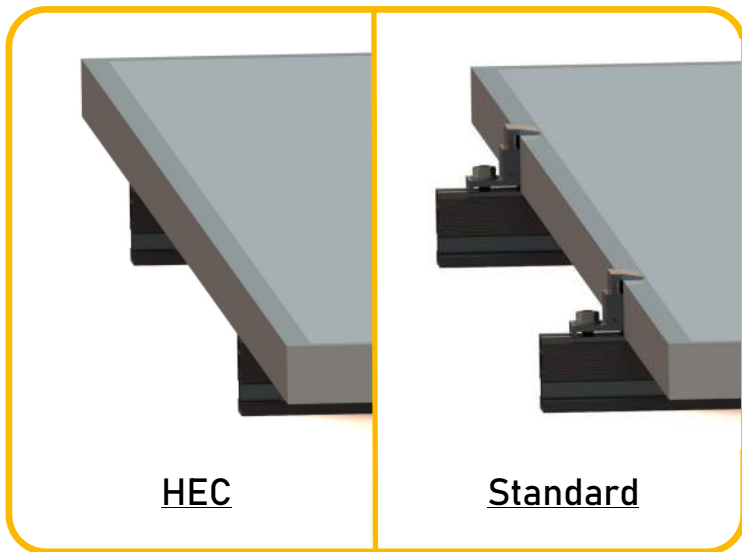
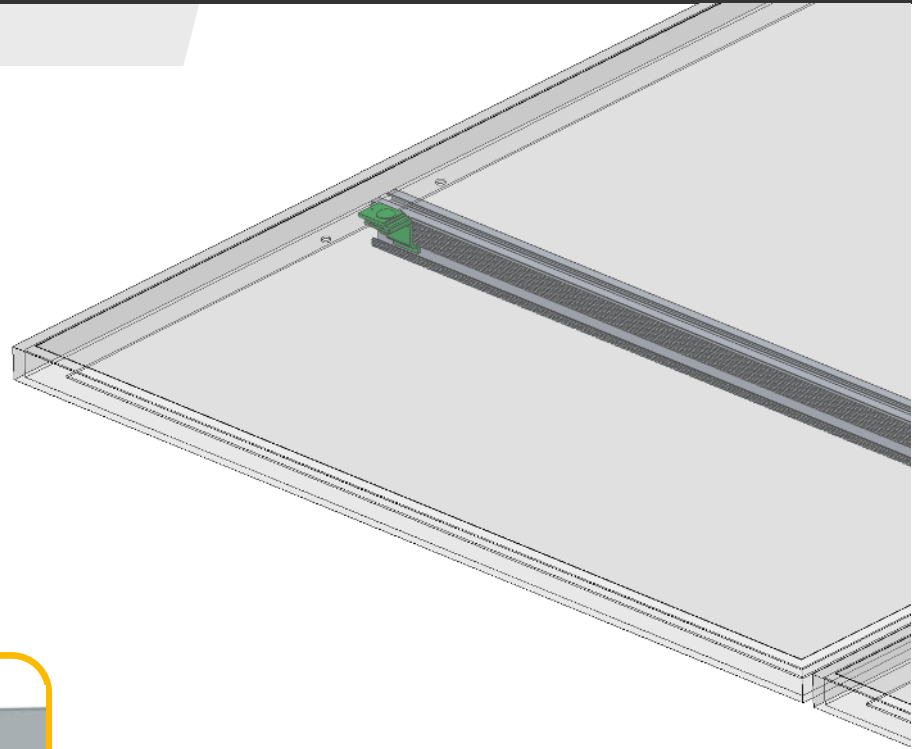
Hidden End Clamp – Module Clamp

☑ Concealed Design

The HEC installs underneath the module and clamps from the inside. Concealed design has superior aesthetics, while leaving the fastener accessible for easy installation.

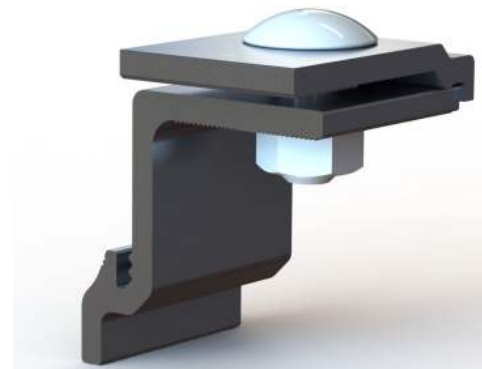
☑ Versatile Installation

Allows rails to be trimmed flush with the edge of the modules for clean installs. Compatible mid-span and easily configurable as a left or right.



HEC

Standard



Durable: Every component has been tested to ensure quality, even in Canada's most extreme environments



Bankable: Fast installations and low cost solutions keep your projects on track.



Protected: Every Fast-Rack product is covered by our standard 25-year warranty.

Specifications

Style	Hidden End Clamp
Attachment	Single 5/16" Bolt
Configuration	Left and Right
Bonding	Integrated
Materials	Aluminum, Stainless Steel

Design and specifications are subject to change without notice. Contact Fast-Rack to find a dealer near you.