



# Wireless Gateway Wireless Repeater

for inverters with SetApp Configuration

V. 1.3

- EN Quick Installation Guide
- FR Guide d'installation rapide
- ES Guía de Instalación Rápida

Apply label here

EN Additional Information



Antenna installation guide  
Guide d'installation de l'antenne  
Manual de instalación de la antena

<https://www.solaredge.com/sites/default/files/se-wifi-zigbee-antenna-installation-guide-eng.PDF>

FR Information additionnelle

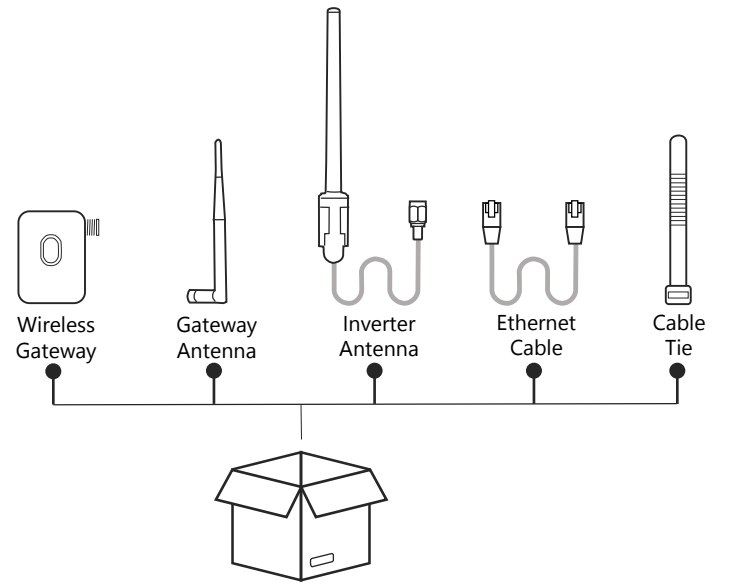


Wireless Gateway installation guide - Complete  
Guide d'installation de la Wireless Gateway  
Manual de instalación del Wireless Gateway

<https://www.solaredge.com/sites/default/files/se-wireless-gateway-wireless-repeater-installation-guide.pdf>

ES Información adicional

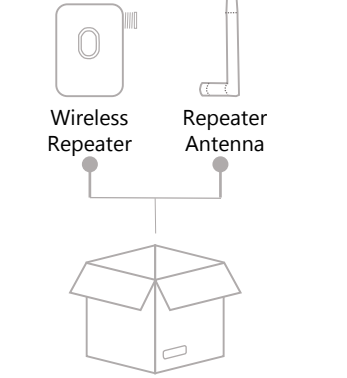
EN What's in the Package



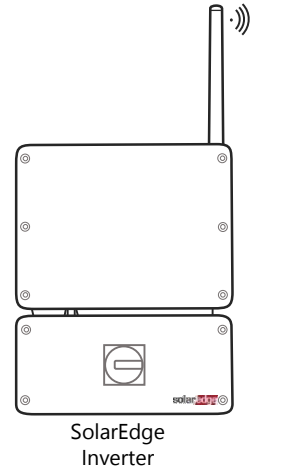
FR Contenu du package

ES Qué hay en el paquete

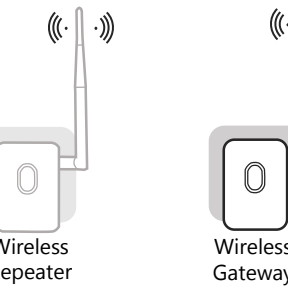
Optional



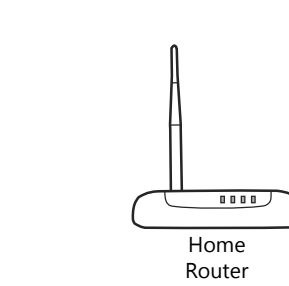
EN System Setup



FR Installation du système

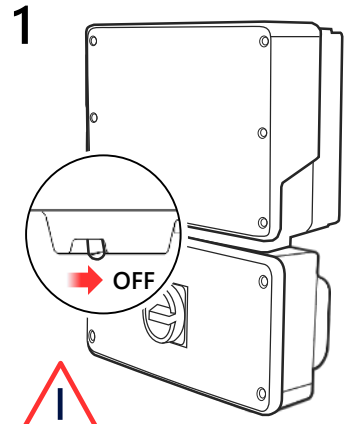


ES Configuración del sistema

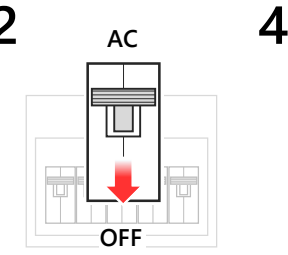


A

EN Remove Inverter Cover



FR Retirez le capot de l'onduleur



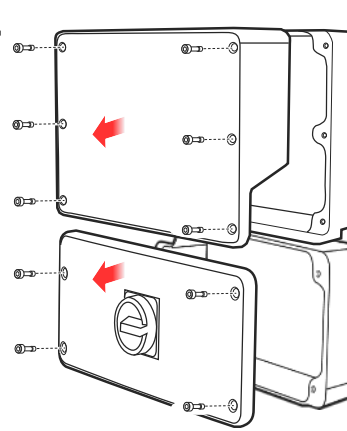
3

5MIN



ELECTRICAL SHOCK HAZARD  
RISQUE DE CHOC ÉLECTRIQUE  
PELIGRO DE DESCARGA ELÉCTRICA

ES Retirar la tapa del inversor



## About SolarEdge

SolarEdge is a global leader in smart energy technology. By deploying world-class engineering capabilities and a relentless focus on innovation, we create smart energy products and solutions that power our lives and drive future progress.

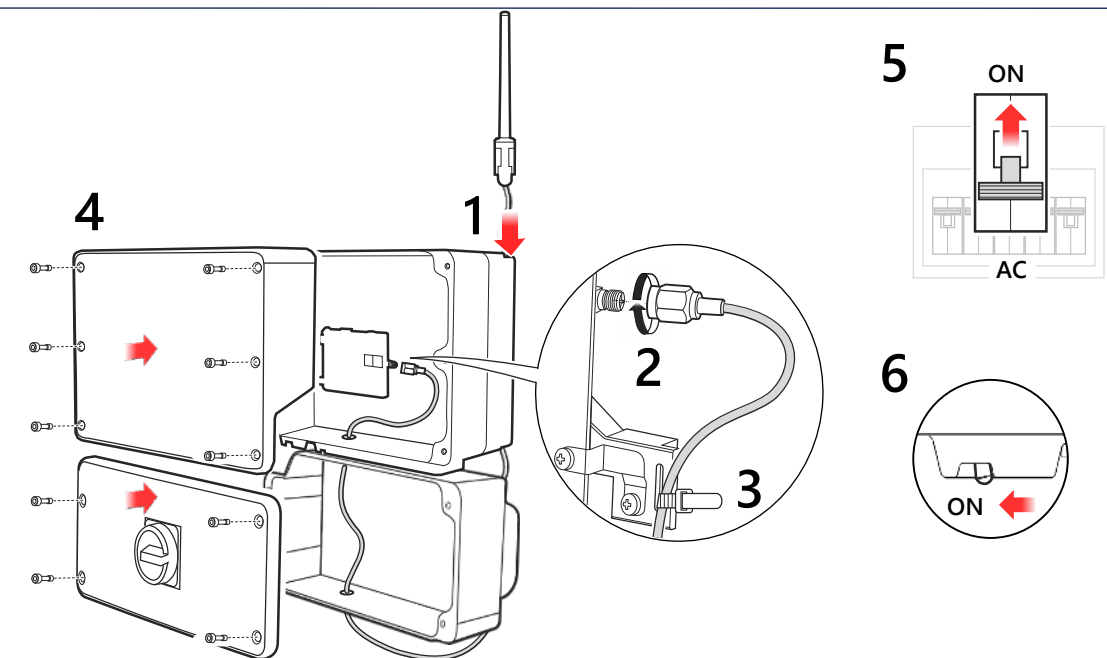
 SolarEdge  
 @SolarEdgePV  
 @SolarEdgePV  
 SolarEdgePV  
 SolarEdge  
 [info@solaredge.com](mailto:info@solaredge.com)

[solaredge.com](http://solaredge.com)  
 © SolarEdge Technologies, Ltd.  
 All rights reserved.  
 Version: 1.3, Nov. 2020  
 Subject to change without notice.

**B** EN Install Antenna

FR Installer l'antenne

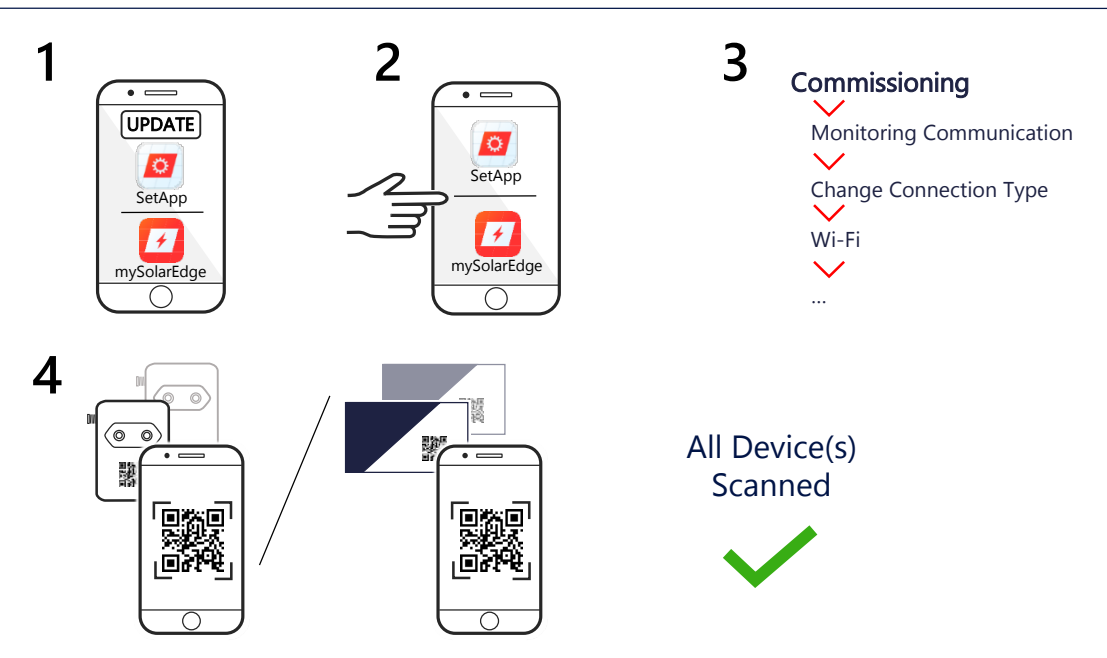
ES Instalar la Antena



**C** EN Pair with Inverter

FR Jumeler avec onduleur

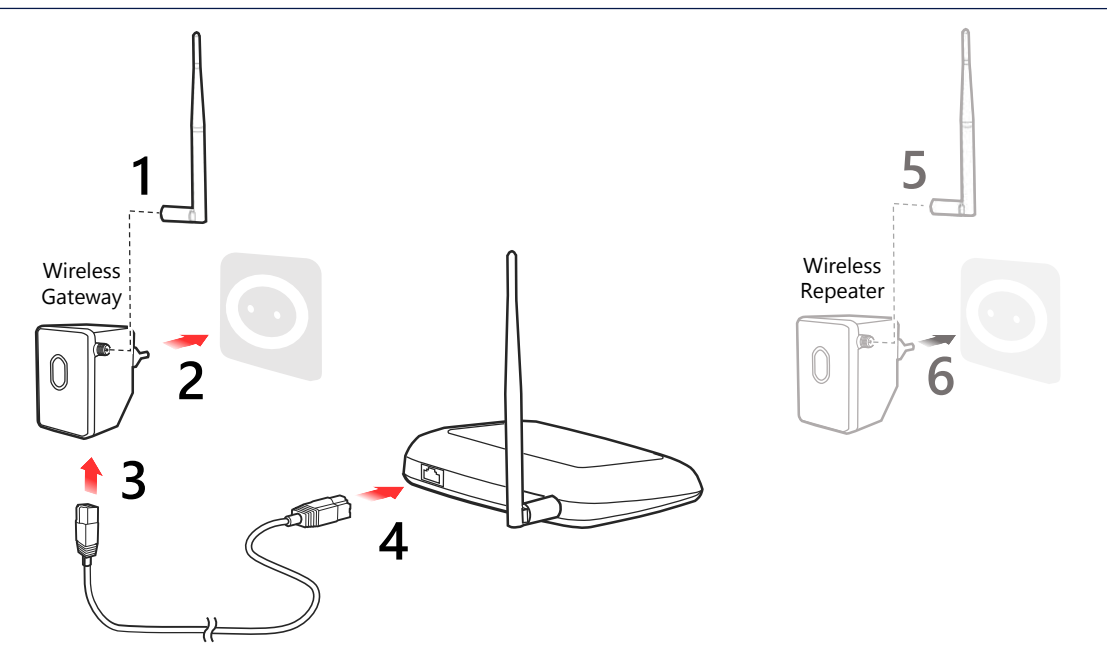
ES Conectar con el inversor



**D** EN Connect Gateway and Repeater

FR Connecter la gateway et le répéteur

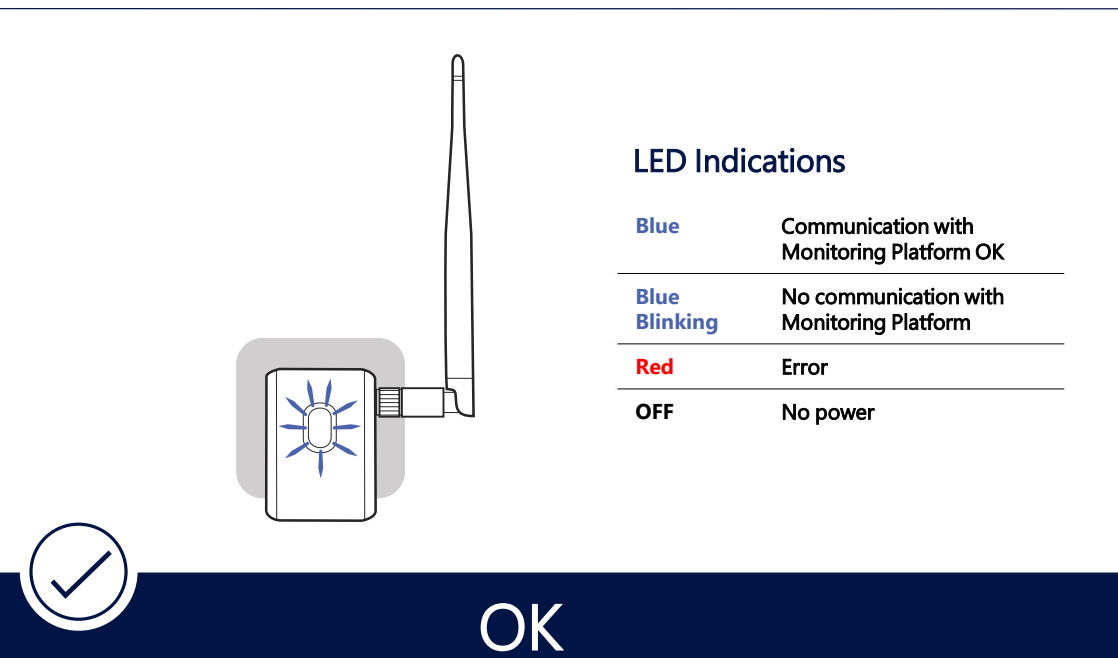
ES Conectar gateway y repetidor



**E** EN Make Sure Blue LED Lights up Continuously

FR Assurez-vous que la LED bleue s'allume

ES Asegurarse de que se encienda el LED azul



## LED Indications

|               |   |
|---------------|---|
| Blue          | Communication with Monitoring Platform OK |
| Blue Blinking | No communication with Monitoring Platform |
| Red           | Error                                     |
| OFF           | No power                                  |