



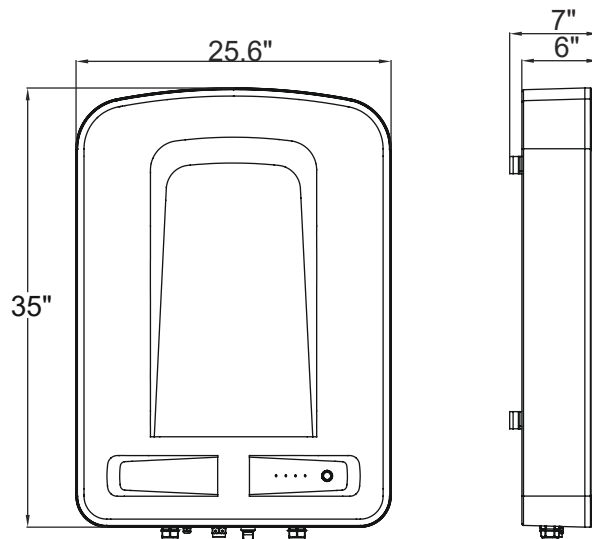
APbattery 48V/5.76kWh

- High and low temperature protection system, safer to use
- Energy conservation and environmental protection
- Super quiet power generation, no noise pollution
- Small size, large battery capacity
- 48V Low Battery Voltage Input, Max Efficiency up to 97%

PRODUCT FEATURES

APbattery is a modular lithium-ion energy storage system which can help to optimize the use of residential solar energy systems, cut the electricity bills and reduce carbon footprint. The APbattery is with an aesthetically pleasing appearance and electrical safety design, a lifespan of more than 10 years can be expected. Its intelligent identification and automatic equalization design allow multiple units to be connected together for system storage capacity expansion easily.

DIMENSIONS



Datasheet | APbattery-48V/5.76kWh

Model

APbattery-48V/5.76kWh

Region

NA

General Specifications

Rated Energy	5.76kWh
Depth of discharge	90% DOD
Nominal Voltage	48VDC
Voltage range	39-54VDC
Maximum charging voltage	54VDC
Maximum pulse current at 25°C, 10s	<120A
DC Battery Input Voltage	40.0-60.0VDC
Battery Capacity	120Ah
Charging Strategy for Li-Ion Battery	Self-adaption to BMS
Max Continuous Charge Current	50A
Max Continuous Discharge Current	100A
Maximum Continuous Discharge Rates (MCDR)	5kw
Efficiency	>97%
Operating Condition	indoor or Outdoor
Operating Temperature	-10°C-45°C
Dimension (LxWxH)	35"x25.6"x6"inch (897x650x158mm)
Weight	172lbs (78kg)
Operating Condition	Natural cooling
Shell Material	Aluminum
Installation Method	Wall Mounted
IP Rating	IP65
Maximum of Parallel	8
Life Span	>10 Years
Communication Mode	RS485、CAN
Protection Mode	Triple Hardware Protection
APbattery Protection	Over-current, Over-voltage, Short circuit, Under-voltage, Over-temperature
Safety Compliance	CAN/UL 1973

© All Rights Reserved

Specifications subject to change without notice please ensure you are using the most recent update found at web : usa.APsystems.com

APsystems America

8701 N. Mopac Expy, Ste 160, Austin, TX 78759

Mail: info.usa@APsystems.com

usa.APsystems.com