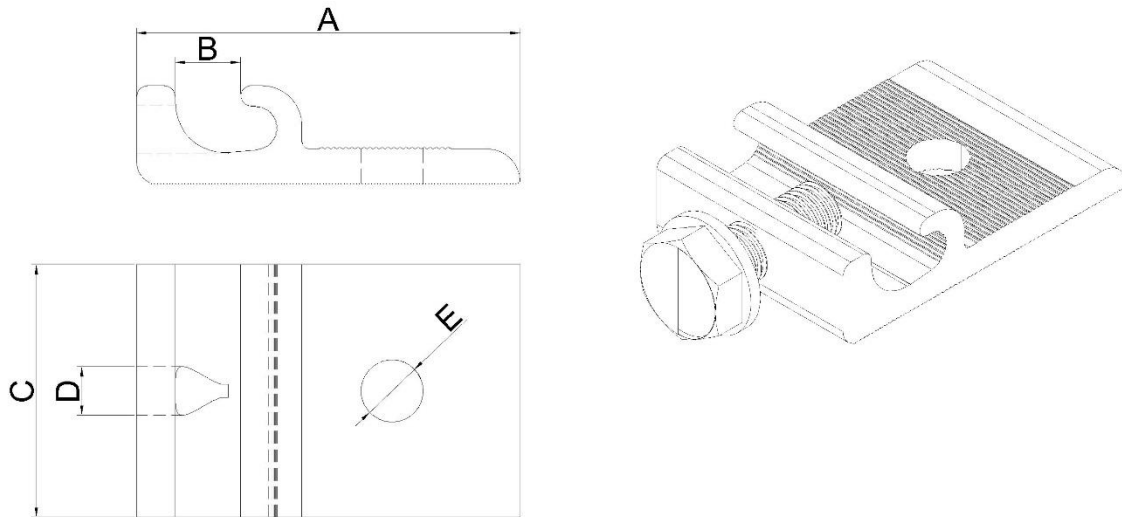


Specification Sheet

Grounding Lug



Product Number	Product Name	A	B	C	D	E	Finish
KHGLUG-M	Aluminum Ground Lug TiN Plated with K-Nut	1.975" / 501.7 mm	Accommodates 4 to 14 Gauge Wire	1.3" / 330.2 mm	0.3125" / 79.38 mm	0.3125" / 79.38 mm	TiN
KHGLUG-NH	Aluminum Ground Lug TiN Plated without Hardware	1.975" / 501.7 mm	Accommodates 4 to 14 Gauge Wire	1.3" / 330.2 mm	0.3125" / 79.38 mm	0.3125" / 79.38 mm	TiN

*All products include required hardware unless specified

Material: Aluminum

Hardware: Stainless Steel



BayWa r.e. Solar Systems Inc.

4703-101 Street NW, T6E 5C6
Edmonton, AB

Tel: +1 844 851 2390

solar@baywa-re.ca