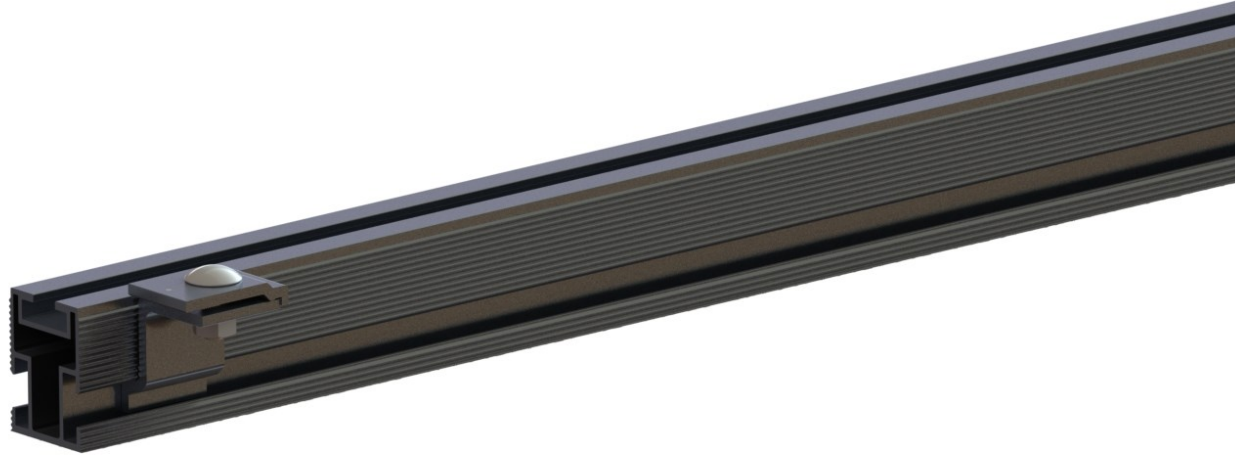


Hidden End Clamp

Module Clamp



FEATURES

- Invisible end clamps with superior aesthetics
- Universal module fitment
- Integrated bonding
- Versatile attachment

ADVANTAGES

- Rails can be trimmed flush with modules
- Single tool install
- Improves trim kit and critter guard install
- Compatible at rail ends or mid-span

The Fast-Rack Hidden End Clamp (HEC) is a concealed module clamp that integrates seamlessly with the Fast-Rack Ultra rail system. The HEC mounts underneath the module, making it completely hidden. It can be installed anywhere along the rail, and allows ends to be trimmed flush with the module for the cleanest installs possible.



MADE FOR CANADA



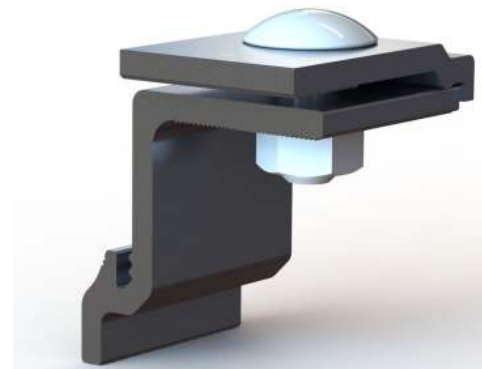
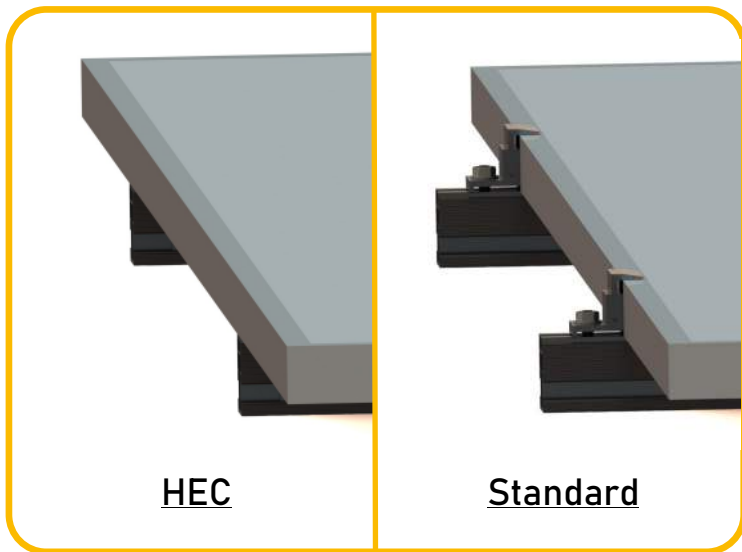
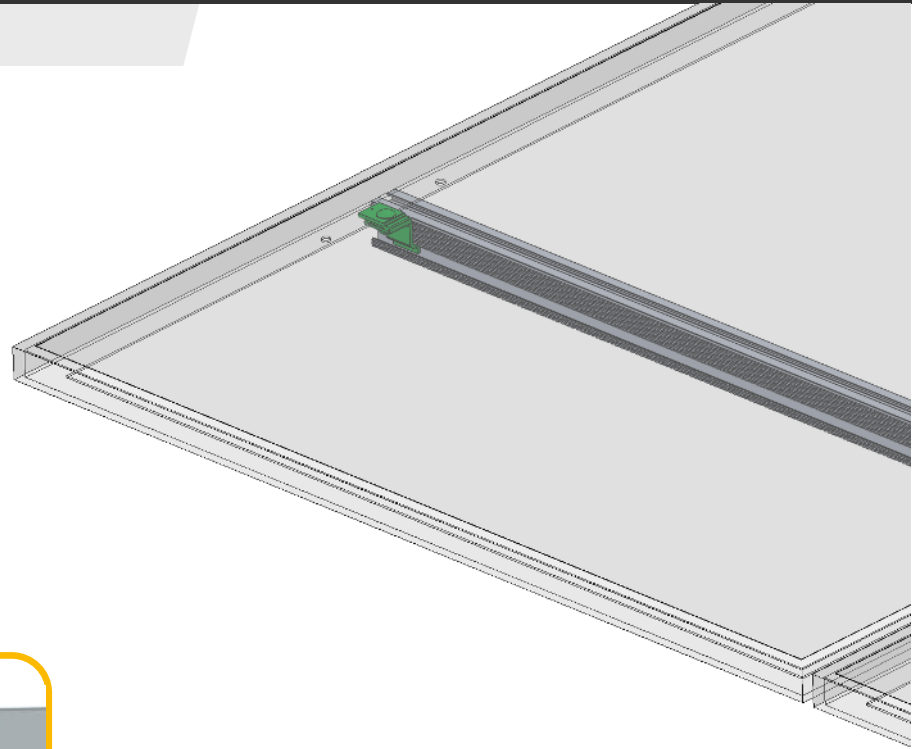
Hidden End Clamp – Module Clamp

☑ Concealed Design

The HEC installs underneath the module and clamps from the inside. Concealed design has superior aesthetics, while leaving the fastener accessible for easy installation.

☑ Versatile Installation

Allows rails to be trimmed flush with the edge of the modules for clean installs. Compatible mid-span and easily configurable as a left or right.



Durable: Every component has been tested to ensure quality, even in Canada's most extreme environments



Bankable: Fast installations and low cost solutions keep your projects on track.



Protected: Every Fast-Rack product is covered by our standard 10-year warranty.

Specifications

Style

Hidden End Clamp

Attachment

Single 5/16" Bolt

Configuration

Left and Right

Bonding

Integrated

Materials

Aluminum, Stainless Steel

Design and specifications are subject to change without notice. Fast-Rack is a registered trademark™. All other trademarks are property of their respective owners. Contact Fast-Rack to find a dealer near you.